

# END CAP DISPLAY FOR REFRIGERATED SLANT BIN



SEBAGO STYLE



BAXTER STYLE



BRUNSWICK STYLE

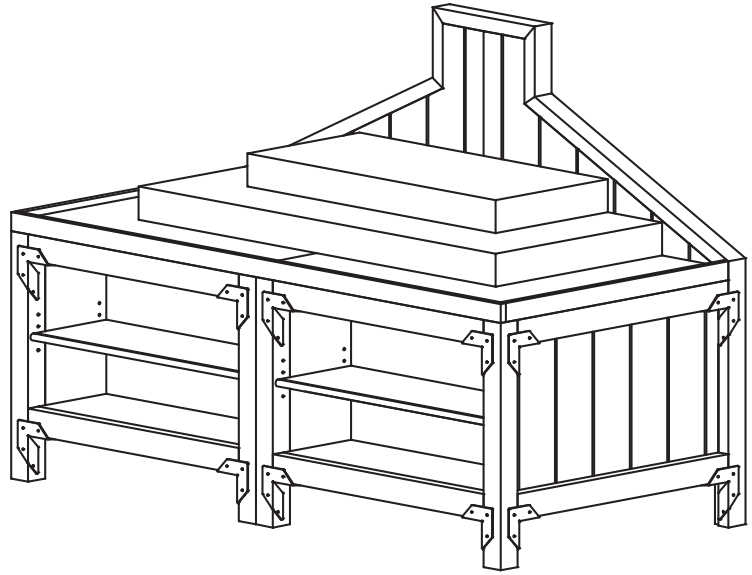


# END CAP DISPLAY FOR REFRIGERATED SLANT

## DESCRIPTION

JSI's End Cap Display for Refrigerated Slant Bins provide for a massive end display and is designed to better match the Refrigerated Case profile.

## ITEM SHOWN IN BRUNSWICK STYLE WITH OPTIONAL LOWER FRONT MERCHANDISING SHELVES AND CORNER BRACKETS

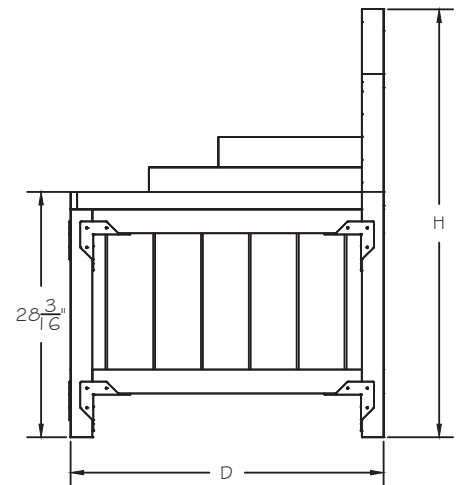
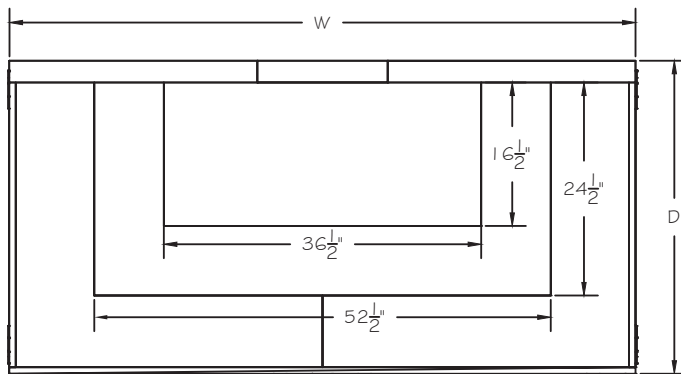


## FEATURES

- Large Merchandising Area for Produce
- Two 3½" H Antimicrobial Foam Risers
- ½" Foam Base Pad
- Variety of Colors / Styles / Options
- Back Panel for Refrigerated Slant Bin Profile

## APPLICATIONS

- Use as an end cap for loose and packaged produce or in an island setting
- Incorporate with JSI refrigerated and non-refrigerated products
- Available with lower front merchandising shelf area



STYLE	ITEM #	LOWER SHELVING	SIZES W x D x H
SEBAGO	CSC-ECR	-S	72" X 36" X 49 3/16"
BAXTER	CBAX-ECR	-S	
BRUNSWICK	CBC-ECR	-S	

## MATERIALS, FINISHES, FOAM, AND ACCESSORIES

Please refer to our "Styles, Groupings, Stains, and Accessories" brochure to see our wide range of materials, finishes, merchandising foam, and accessories.